



Fantech

SHR 6904

Commercial Heat Recovery Ventilator



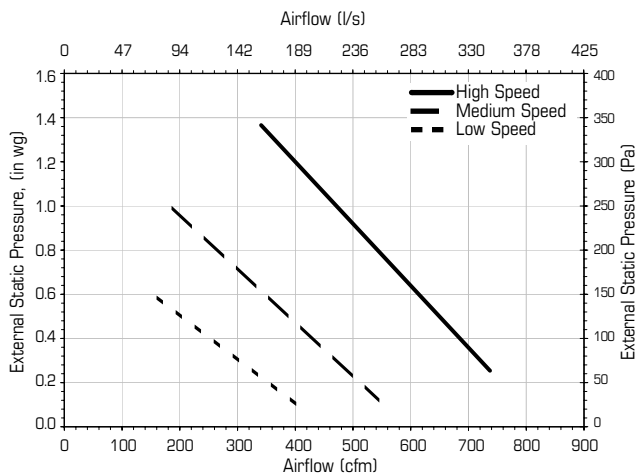
The SHR 6904 Commercial Heat Recovery Ventilation system (HRV) complements today's tight buildings. Fantech Heat Recovery Ventilators (HRV) are designed to supply air into a building while exhausting an equal amount of contaminated air to the outside.

The aluminum heat exchange core transfers sensible energy between air streams resulting in tempering of the supply air and reduced loads on the HVAC system.

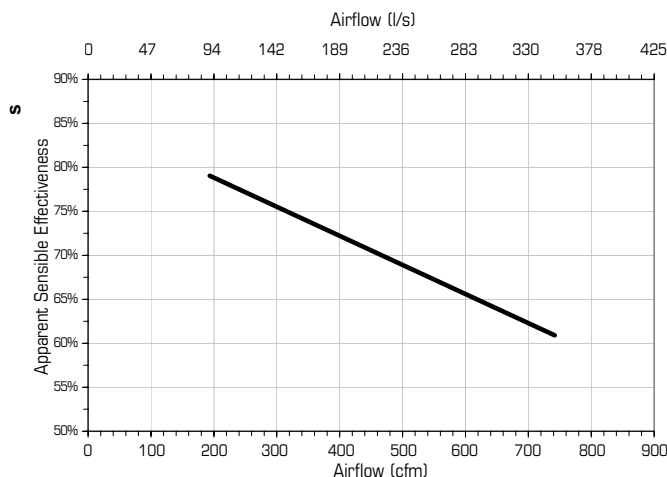
POWER & WEIGHT

• Volts	120V Total
• Amperage	5.5 Amps Total
• Weight	185 Lbs
• Shipping Weight	225 Lbs
• Blowers (x2)	115V, 60 Hz, 2.7 Amps
• Phase	Single Phase

Airflow Performance
Gross Supply



Heating Performance at 0°C



SPECIFICATIONS

CASE 20 gauge galvanized steel. Baked powder coated paint, antique white. Insulated with 1" (25 mm) foil-face fiberglass insulation to prevent condensation.

BLOWERS Two (2) German-manufactured, factory-balanced ebm™ motors with backward curved blades. Motors come with permanently lubricated sealed ball bearings to guarantee long life and maintenance-free operation.

ALUMINUM HEAT EXCHANGERS Fantech manufactures this fixed plate cross-flow heat exchanger using new 1100 alloy aluminum. Heat exchanger is engineered with a turbulence inducing geometry in order to maximize heat transfer while allowing an effective evacuation of condensate. The plates are hemmed and sealed to ensure no cross-contamination of airstreams. The aluminum core has a plastic handle for easy removal. The SHR 6904 features two cores each 12" x 12" (305 x 305 mm) with a 15" (380 mm) depth.

FILTERS Four (4) Washable Electrostatic Panel Type Air Filters, 11.75" (298mm) x 15" (380mm) x 0.25" (6mm).

MOUNTING Unit may be suspended by using threaded rod, not supplied, or placed on a platform.

CONTROLS External three (3) position (Low/Stand By/Medium) rocker switch that will offer continuous ventilation. In addition Fantech offers a variety of external controls.

DEFROST A preset defrost sequence is activated at an outdoor air temperature of 23°F (-5°C) and lower.

During the defrost sequence, the supply blower shuts down & the exhaust blower continues to ventilate for a few minutes. The unit then returns to normal operation, and continues cycle.

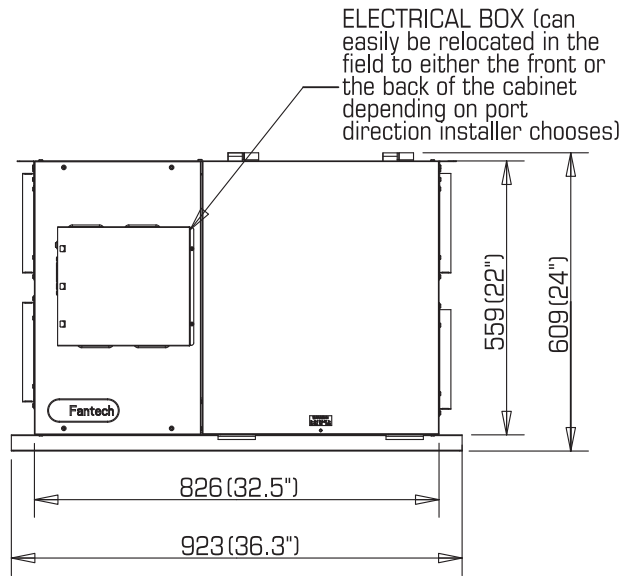
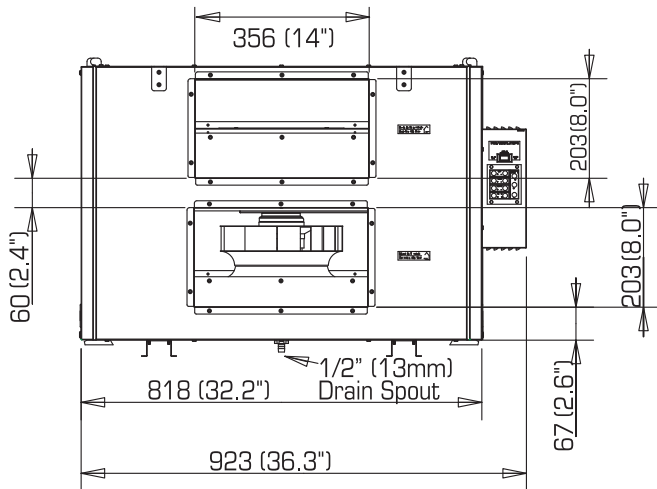
SERVICEABILITY Cores, filters and drain pans can be accessed easily from both sides of the HRV from hinged access panels. Cores conveniently slide out with only 15" (380mm) clearance. Blowers can be accessed from both sides of the HRV from fastened access panels. Blowers are easily removed by taking off the access panel and sliding the motor plates out of the HRV. A quick connect allows for fast inspection of blowers.

DRAIN Two 1/2" (13mm) OD (outside diameter) drain spouts provided, entire bottom of unit covered by pan.



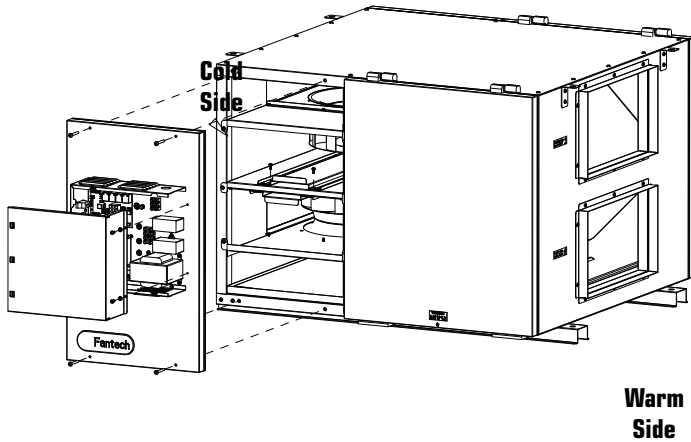
SHR 6904 Commercial HRV

Dimensions

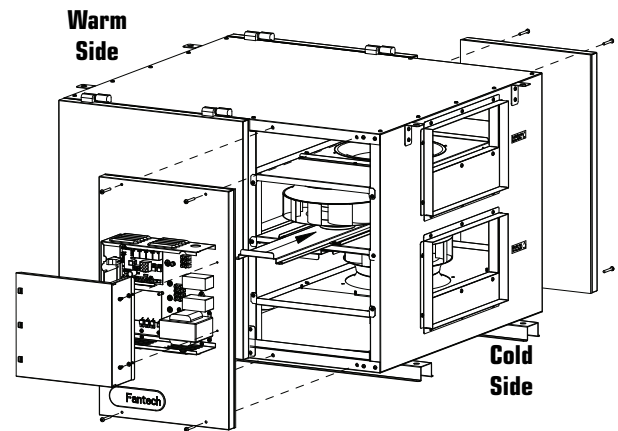


PORT CONFIGURATION

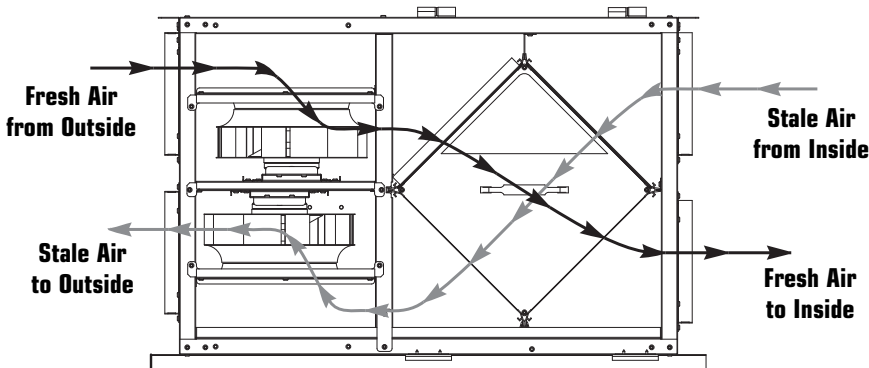
The unit has access doors on the front and back. Also, the main control panel may be moved from front to back allowing for ducting layout.



Standard Configuration as shipped from factory.



Airflow



Fantech

United States

10048 Industrial Blvd. • Lenexa, KS. 66215
 (T) 1.800.747.1762 • (F) 1.800.487.9915
 (T) 1.913.752.6000 • (F) 1.913.752.6466
www.fantech.net • info@fantech.net

Canada

50 Kanalfakt Way, Bouctouche, NB E4S 3M5
 (T) 1.800.565.3548 • (F) 1.877.747.8116
 (T) 1.506.743.9500 • (F) 1.506.743.9600
www.fantech.ca • info@fantech.ca

Fantech, reserves the right to modify, at any time and without notice, any or all of its products' features, designs, components and specifications to maintain their technological leadership position.