

# Submittal Data Sheet

## SHR8005R (Indoor Pool Ventilator)

### Fantech Commercial Heat Recovery Ventilator Ducted Indoor Pool Model

---

#### Features

- Premium aluminum cell
- Backward inclined motorized impeller
- Dual service door & Reversible electrical box
- Push-push configuration
- External electrical box
- Electrostatic filters
- Low voltage contacts
- Full length drain pan
- Outdoor ducts on the same side
- By-Pass Module (BPM0820P) for recirculation



#### Options & Controls

- MERV6 rated filters
- Compatible with all Fantech HRV controls
- Low voltage MDEH1 and EDF1R are recommended for pool applications

Job Name:		
Job Location:		
Job Reference Number:		
Unit Reference Number:		
Engineer:		
Distributor:		
Contractor:		
For Reference:	For Approval:	For Construction:
Submitted by:		Date:
Address:		
Tel:	Fax:	Email:
Notes:		



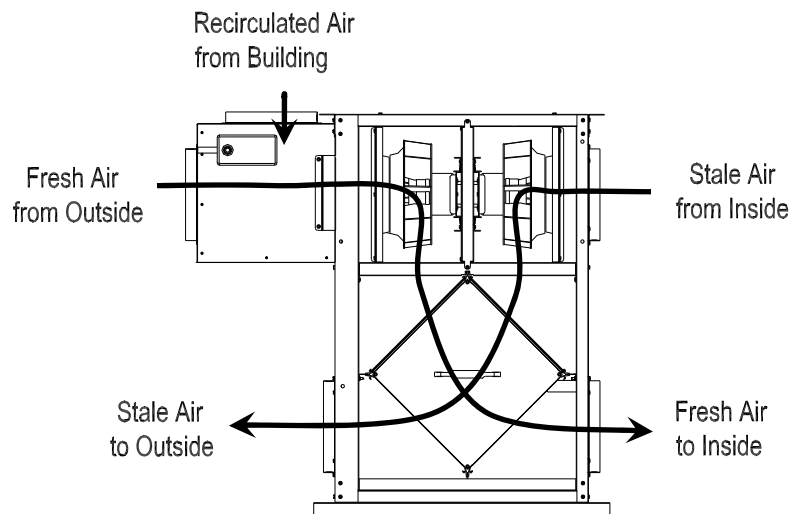
**United States** · 1712 Northgate Blvd. · Sarasota FL 34234 · 1-800-747-1762 · [www.fantech.net](http://www.fantech.net)  
**Canada** · 50 Kanalfakt Way. · Bouctouche, NB E4S 3M5 · 1-800-565-3548 · [www.fantech.ca](http://www.fantech.ca)

Fantech, reserves the right to modify, at any time and without notice, any or all of its products features, designs, components and specifications to maintain their technological leadership position.

## SHR8005R Submittal Data, Fantech Commercial Heat Recovery Ventilator

### Descriptions

Case:	20 gauge G90 galvanized steel coated with baked powder paint, insulated with 25mm (1 inch) and 50mm (2 inch) on outdoor air side foil-faced high density polystyrene foam for condensation control.
Blowers:	Two maintenance-free Ebm-Papst™ backward inclined motorized impellers with permanently lubricated sealed ball bearings and (TOP) thermal overload protected.
Heat recovery core:	The heat recovery cores are fixed plate cross-flow heat exchanger using 1100 alloy aluminum and capable of transferring sensible heat between air streams. The heat recovery cores are engineered with a turbulence inducing geometry in order to maximize heat transfer while allowing an effective evacuation of condensate. The plates are hemmed to avoid cross-contamination of airstreams.
Filters:	The exhaust and fresh air streams are protected by MERV1 washable filters constructed to meet UL Class2. Optional MERV6 filters are direct replacement to the MERV1. Use of MERV6 filters will add an additional system pressure of 72 Pa (0.29in.wg) at 378 l/s (800cfm).
Controls:	External three (3) position (Low / Standby / Medium) rocker switch that will offer continuous ventilation. Compatible with all Fantech HRV controls.
Frost control:	During the defrost sequence, a motorized damper temporarily blocks the incoming fresh air stream so that the warm air from the building can circulate through the HRV. The exhaust blower shuts down and the supply blower switches into high speed to maximize the effectiveness of the defrost strategy.
Serviceability:	Unit has hinged or screwed access panels on front and back. Cores, filters, motors and drain pan are serviceable from either sides of the unit. Fan assemblies are mounted on a removable sliding base. Heat recovery cores are mounted in slide-out rails for ease of inspection, removal and cleaning. Accessibility to the electrical box is maintained for any unit installation
Mounting:	Unit can be rod mounted or seated on a platform. Flanged connections are provided for suitable ductwork connections. Unit shall be adaptable for easy service of electrical components.
Warranty:	The heat recovery ventilator is warranted to be free from defect in material, workmanship and all parts for a period of 3 years from the purchase date. The heat recovery core is warranted to be free from defects in material and workmanship for a lifetime period under circumstances of normal use.



**United States** · 1712 Northgate Blvd. · Sarasota FL 34234 · 1-800-747-1762 · [www.fantech.net](http://www.fantech.net)  
**Canada** · 50 Kanalfakt Way. · Bouctouche, NB E4S 3M5 · 1-800-565-3548 · [www.fantech.ca](http://www.fantech.ca)

Fantech, reserves the right to modify, at any time and without notice, any or all of its products features, designs, components and specifications to maintain their technological leadership position.

# SHR8005R Submittal Data, Fantech Commercial Heat Recovery Ventilator

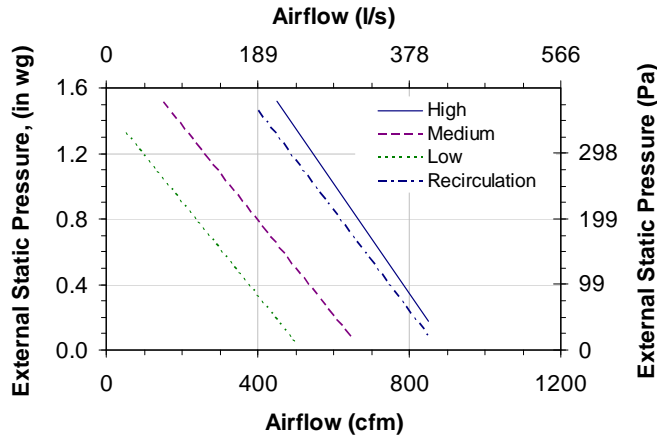
## Specifications

- Volts 120V
- Phase Single
- Amperage 5.4 Amps Total
- Blowers (x2) 115V, 60Hz, 2.7Amps

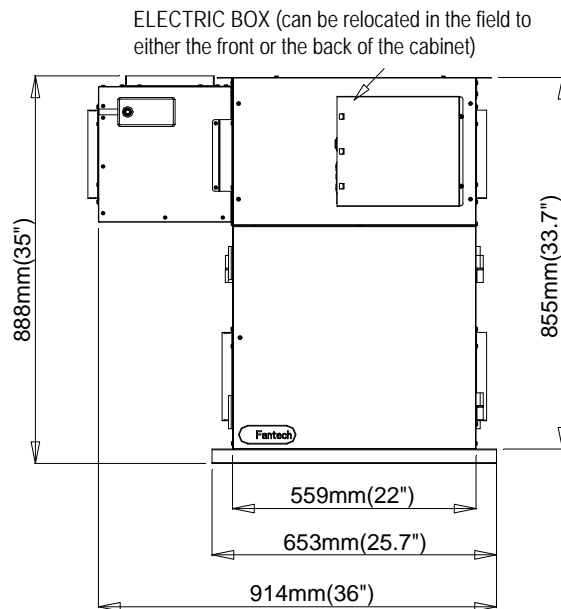
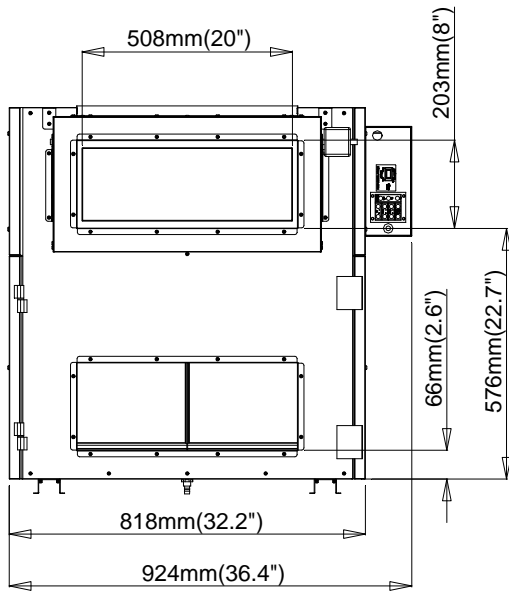
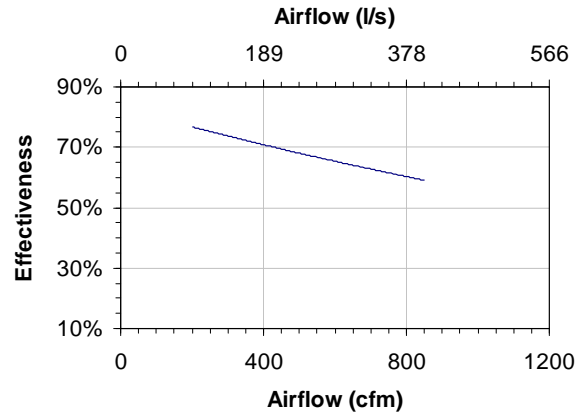


- Weight 80.3Kg (177Lbs)
- Shipping Weight 98Kg (217Lbs)
- Shipping Dim. 674x1041x1302mm(28x42x55")

**Airflow Performance**



**Thermal Effectiveness**



United States · 1712 Northgate Blvd. · Sarasota FL 34234 · 1-800-747-1762 · [www.fantech.net](http://www.fantech.net)  
 Canada · 50 Kanalfakt Way. · Bouctouche, NB E4S 3M5 · 1-800-565-3548 · [www.fantech.ca](http://www.fantech.ca)

Fantech, reserves the right to modify, at any time and without notice, any or all of its products features, designs, components and specifications to maintain their technological leadership position.