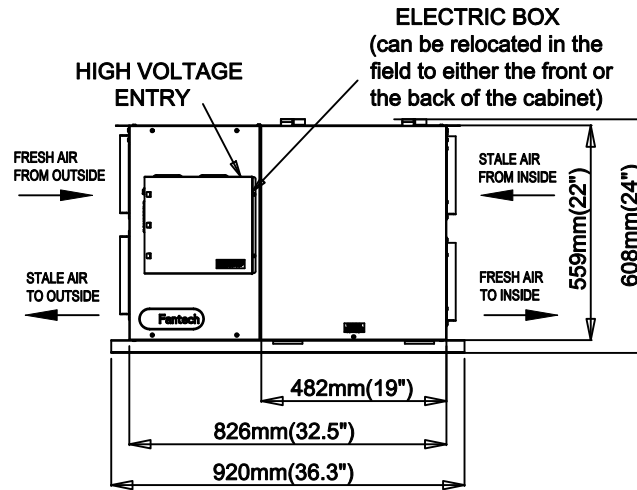
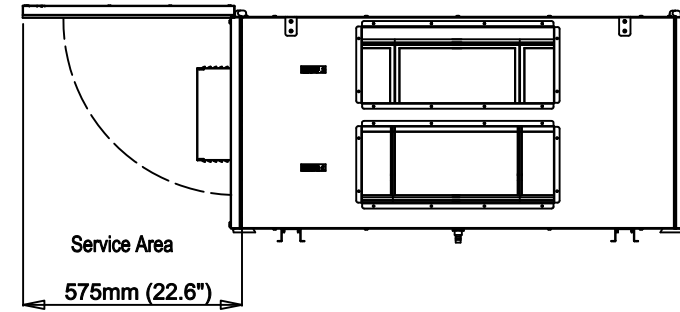


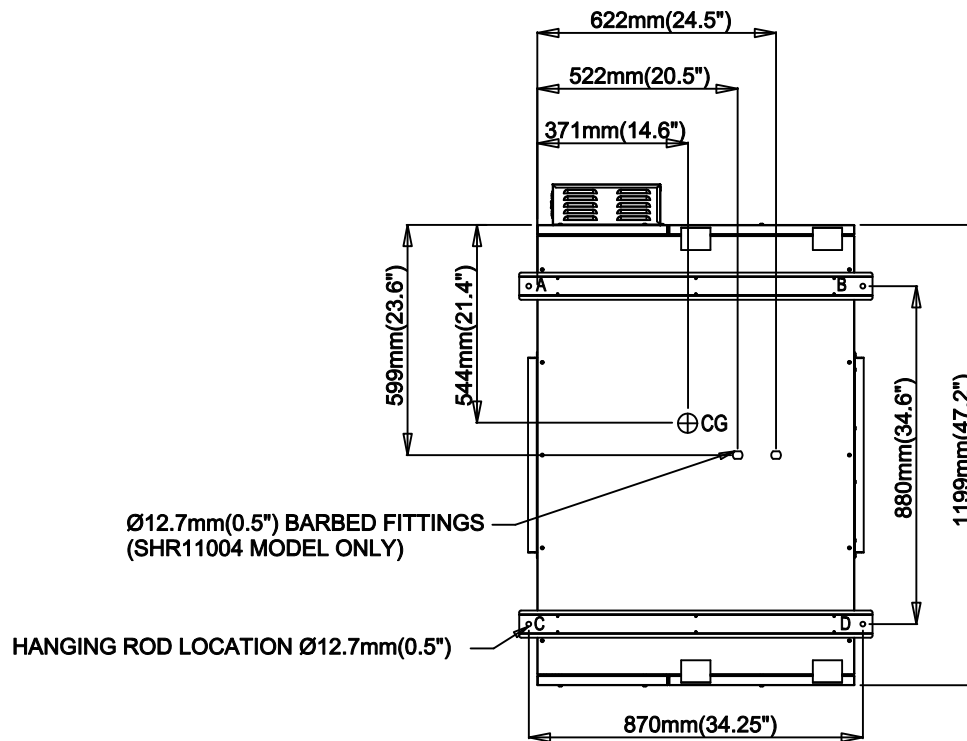
LEFT VIEW



FRONT VIEW



RIGHT VIEW



BOTTOM VIEW

Weight Distribution

SHR11004

- A 30.4Kg (67lbs)
- B 27.7Kg (61lbs)
- C 27Kg (60lbs)
- D 24.3Kg (53.5lbs)
- CG 109Kg (241lbs)

SER8504N

- A 27.4Kg (60.5lbs)
- B 24.7Kg (54.5lbs)
- C 24.3Kg (53.5lbs)
- D 21.3Kg (47lbs)
- CG 97.5Kg (215lbs)

Model: SHR11004/SER8504N    NTS    450507. Nov2007



**Fantech**

Your Ventilation Solutions Company