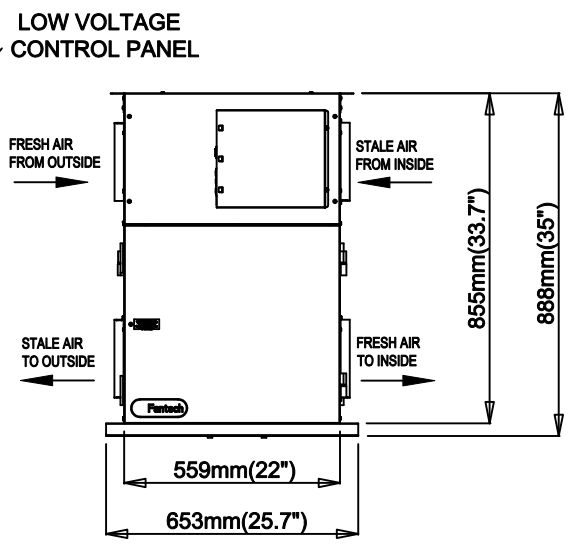
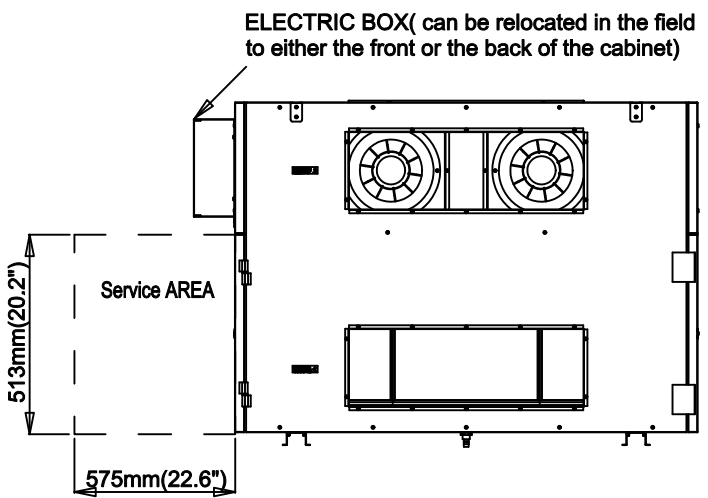


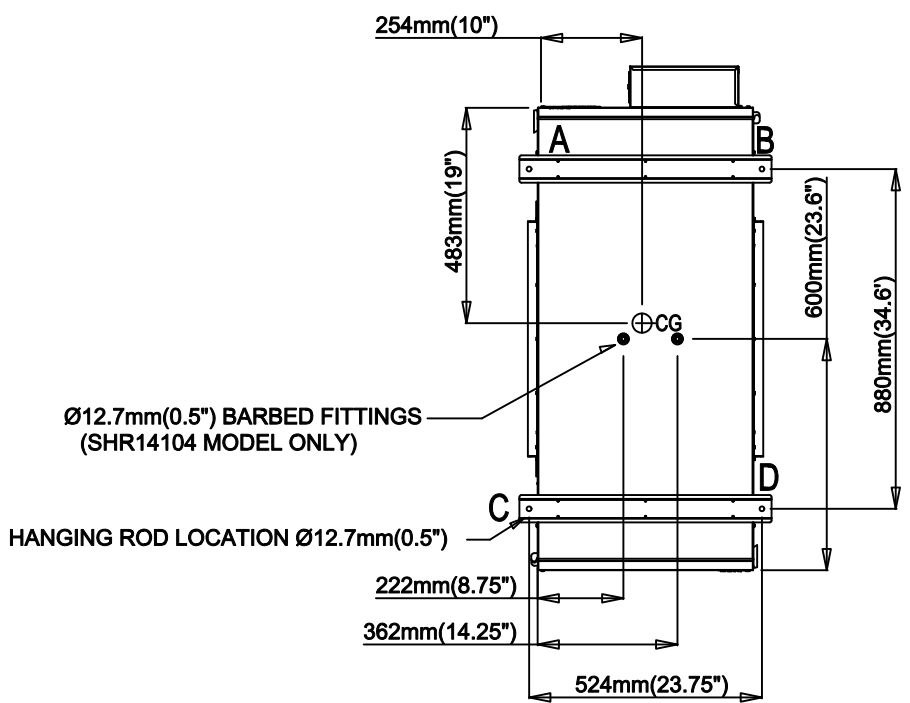
LEFT VIEW



FRONT VIEW



RIGHT VIEW



BOTTOM VIEW

Weight Distribution

	SHR14104	SER11504N
A	34.7Kg (76.5lbs)	A 31.4Kg (69.3lbs)
B	29.2Kg (64.4lbs)	B 25.8Kg (56.9lbs)
C	30Kg (66.2lbs)	C 26.7Kg (58.9lbs)
D	24.5Kg (54bs)	D 21.2Kg (46.7bs)
CG	116Kg (255lbs)	CG 102.5Kg (226lbs)

Model: SHR14104/SER11504N Do not scale drawing

Fantech

Your Ventilation Solutions Company