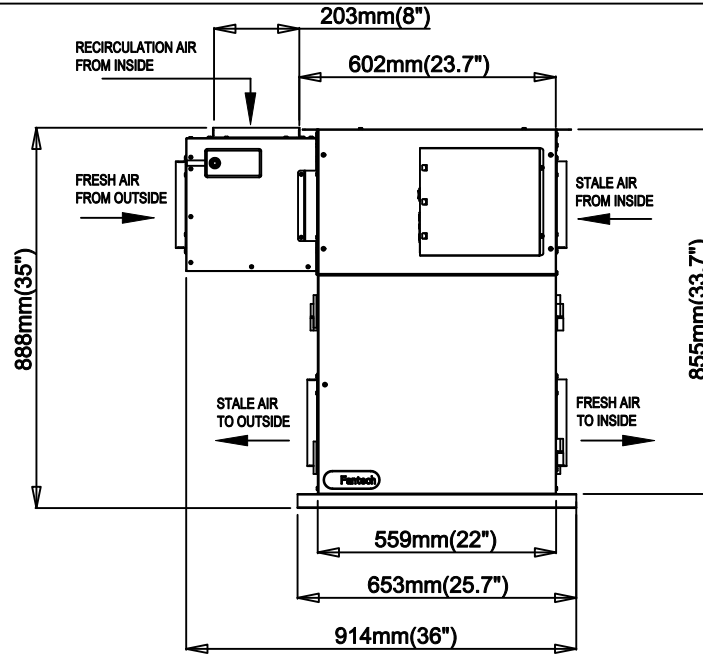
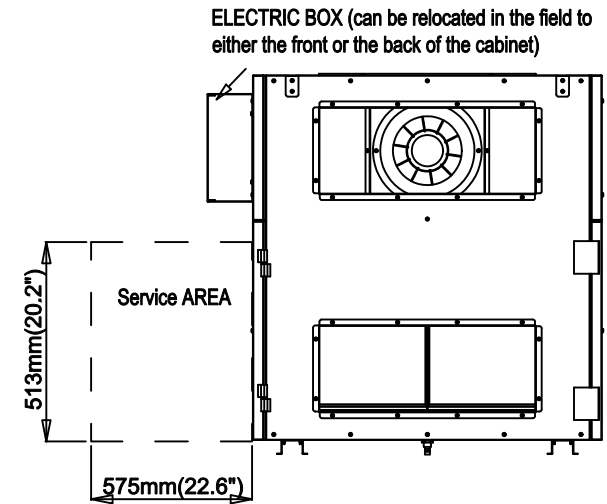


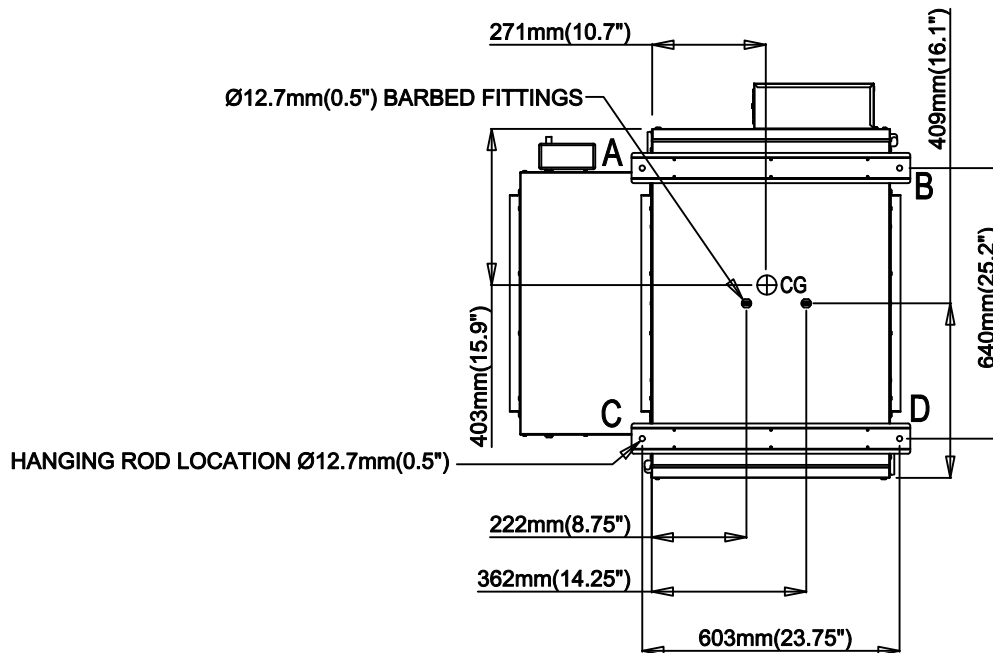
LEFT VIEW



FRONT VIEW



RIGHT VIEW



BOTTOM VIEW

Weight Distribution

- A 24.6Kg (54.3lbs)
- B 19.7Kg (43.5lbs)
- C 21.3Kg (47lbs)
- D 16.4Kg (46.2lbs)
- CG 80.3Kg (177.0lbs)

Model:	SHR8005R	NTS	450510. Nov2007
--------	----------	-----	-----------------



Fantech

Your Ventilation Solutions Company