

Direct Drive Propeller Fans

Cast Aluminum Blade Venturi Exhaust Fans

Cast aluminum blade venturi exhaust fans are designed to achieve efficient, economical ventilation in industrial/commercial applications.

Features and Specifications

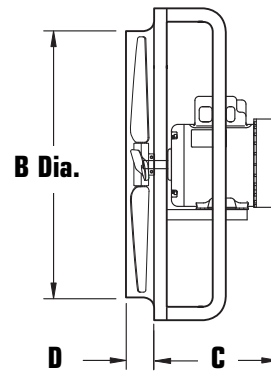
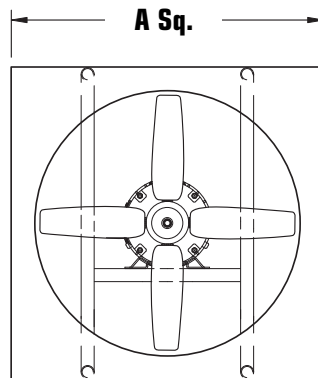
- Fans feature heavy duty venturi panel with a fixed-position motor base and rigid tubular supports
- Totally enclosed motor

- Shipped completely assembled

NOTE: OSHA-compliant guards are required when fan is installed within 8.2 ft. (2.5M) of the floor, at working level, or within reach of personnel. Please review OSHA codes.

Accessories (available separately)

- For more information, see Wall Fan Accessories



Fantech, Inc. and Systemair Mtg. Inc. certify that the Cast Aluminum Blade Venturi Exhaust Fans shown herein are licensed to bear the AMCA Seal. The ratings shown are based on tests and procedures performed in accordance with AMCA Publication 211 and AMCA Publication 311 and comply with the requirements of the AMCA Certified Ratings Program.

Model No.	Prop. Dia. (In.)	A Sq.	Dimensions (In.)				Venturi Clearance Dia. (In.)	Intake Guards Stock No.
			B	C	D			
115/230V, 60 HZ, SINGLE PHASE								
2CAV12B2	12	16	12-3/8	10-1/8	1-13/16	14	1ACC12SG	
2CAV16B2	16	20	16-1/2	10	2-5/16	18	1ACC16SG	
2CAV18C2	18	22	18-1/2	10-3/8	2-5/8	20	1ACC18SG	
2CAV20D2	20	24	20-1/2	9-15/16	2-15/16	22	1ACC20SG	
2CAV24D2	24	28	24-3/8	9-7/16	3-1/4	26	1ACC24SG	
2CAV24E2	24	28	24-3/8	9-7/16	3-1/4	26	1ACC24SG	
2CAV30E2	30	34	30-1/2	9-1/4	3-3/16	32	1ACC30SG	
208-220/440V, 60 HZ, 3-PHASE								
2CAV16BY	16	20	16-1/2	10	2-5/16	18	1ACC16SG	
2CAV18BY	18	22	18-1/2	10-3/8	2-5/8	20	1ACC18SG	
2CAV20DY	20	24	20-1/2	9-15/16	2-15/16	22	1ACC20SG	
2CAV24EY	24	28	24-3/8	9-7/16	3-1/4	26	1ACC24SG	
2CAV30EY	30	34	30-1/2	9-1/4	3-3/16	32	1ACC30SG	

Model No.	Prop. Dia. (In.)	HP	Nominal RPM	Full Load Amps	Watts	Sones @ 5 Ft. 0.0" SP	0.0" SP	CFM Air Delivery				Ship Wt. (lbs.)
								0.125" SP	0.250" SP	0.375" SP	0.500" SP	
115/230V, 60 HZ, SINGLE PHASE												
2CAV12B2	12	1/4	1762	5.0	250	11.4	1239	1110	937	757	—	27
2CAV16B2	16	1/4	1725	5.2	375	17.2	2561	2168	1692	1361	1140	40
2CAV18C2	18	1/3	1732	6.6	460	22	3257	2826	2370	1954	1595	40
2CAV20D2	20	1/2	1718	8.7	633	25	4400	3917	3320	2758	2310	46
2CAV24D2	24	1/2	1706	8.7	708	37	5918	5332	4712	4049	3295	49
2CAV24E2	24	3/4	1740	9.9	726	36	6621	5585	4937	4288	3600	56
2CAV30E2	30	3/4	1130	7.2	762	20	9902	8222	5756	—	—	65
208-220/440V, 60 HZ, 3-PHASE												
2CAV16BY	16	1/4	1737	1.4	325	17.2	2571	2164	1963	1352	1085	43
2CAV18BY	18	1/3	1736	1.4	360	22	3316	2875	2413	1990	1620	42
2CAV20DY	20	1/2	1756	1.8	501	25	4487	3974	3371	2828	2385	48
2CAV24EY	24	3/4	1725	2.6	640	39	6312	5711	5079	4433	3780	53
2CAV30EY	30	3/4	1150	2.9	745	21	9927	8257	5844	—	—	63

(*) Performance certified is for installation type A: Free Inlet, Free Outlet. Speed (RPM) shown is nominal. Performance is based on actual speed of test. Performance ratings include the effects of shutter and guard.

(**) The sound ratings shown are loudness values in fan sones at 5 ft. (1.5m) in a hemispherical free field calculated per AMCA Standard 301. Values shown are for Installation Type A, hemispherical sone levels.

Direct Drive Propeller Fans

12" to 24" Hazardous Location Exhaust Fans

Hazardous location cast exhaust fans are designed for heavy-duty ventilation in atmospheres containing flammable or explosive vapors, gases or dusts (per NEC 500).

Features and Specifications

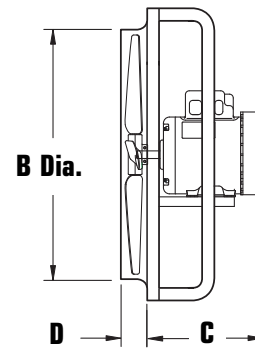
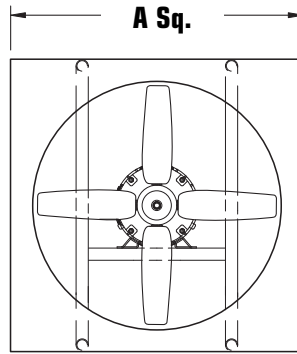
- UL Listed (E206025) fans are for use in hazardous locations
- Motors are hazardous location for Class I, Group D; and Class II, Groups E, F and G applications
- Motorized shutters are not recommended.

NOTE: OSHA-compliant guards are required when fan is installed within 8.2 ft. (2.5M) of the floor, at working level, or within reach of personnel. Please review OSHA codes.

NOTE: Units are not recommended where motor or blades will accumulate paint. Consult local ventilation or fire inspector for code requirements.

Accessories (available separately)

- For more information, see Wall Fan Accessories



Fantech, Inc. and Systemair Mfg. Inc. certify that the 12" to 24" Hazardous Location Exhaust Fans shown herein are licensed to bear the AMCA Seal. The ratings shown are based on tests and procedures performed in accordance with AMCA Publication 211 and AMCA Publication 311 and comply with the requirements of the AMCA Certified Ratings Program.

Model No.	Prop. Dia. (In.)	A Sq.	Dimensions (In.)			Venturi Clearance Dia. (In.)	Intake Guards Model No.
			B	C	D		
115V, 60 HZ, SINGLE PHASE							
2CAV12BK	12	16	12-3/8	11-1/4	1-13/16	14	1ACC12SG
2CAV16BK	16	20	16-1/2	11-1/16	2-3/8	18	1ACC16SG
2CAV18CK	18	22	18-1/2	11-3/4	2-5/8	20	1ACC18SG
115/230V, 60 HZ, SINGLE PHASE							
2CAV20DK	20	24	20-1/2	12 3/8	2-15/16	22	1ACC20SG
2CAV24DK	24	28	24-3/8	12-1/16	3-3/8	26	1ACC24SG
2CAV24EK	24	28	24-3/8	12-1/16	3-3/8	26	1ACC24SG

Model No.	Prop. Dia. (In.)	HP	Nominal RPM	Full Load Amps	Watts	Sones @ 5 Ft. 0.0" SP	CFM Air Delivery				Ship Wt. (lbs.)	
							0.0" SP	0.125" SP	0.250" SP	0.375" SP		0.500" SP
115V, 60 HZ, SINGLE PHASE												
2CAV12BK	12	1/4	1774	3.4	200	12.1	1217	1104	925	626	513	42
2CAV16BK	16	1/4	1742	3.9	345	16.9	2547	2151	1681	1339	1064	44
2CAV18CK	18	1/3	1736	6.0	420	22	3247	2807	2368	1930	1575	41
115/230V, 60 HZ, SINGLE PHASE												
2CAV20DK	20	1/2	1731	8.8	614	25	4438	3937	3302	2775	2329	49
2CAV24DK	24	1/2	1720	8.8	687	38	5969	5364	4745	4079	3387	51
2CAV24EK	24	3/4	1747	10.6	766	37	6267	5640	4991	4359	3675	57