

Direct Drive Propeller Fans

Ring Fans and Flanged Ring Fans

6", 9" and 12" Diameter Ring Fans

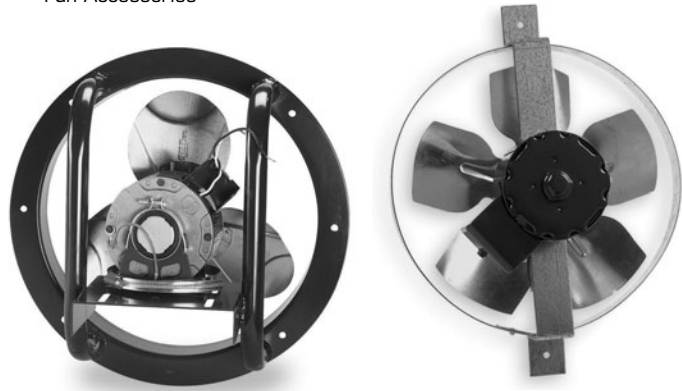
Ring fans are designed for exhausting and cooling operations.

Features and Specifications

- Totally enclosed, shaded pole, 115V 60 Hz motor
- Units have heavy gauge steel angle frame with baked-on gray polyester finish. Galvanized steel ring on model numbers 2FRF0641, 2FRF0931 and 2FRF1221

Accessories (available separately)

- For more information, see Wall Fan Accessories



Model No.	Prop. Dia. (In.)	CFM @ 0.0" SP	HP	Full Load Amps	Motor Enclosure	Junction Box	Leads	Mounting Holes OC (In.)	Ship Wt. (lbs.)
2FRF0641	6	150	1/100	0.72	TE	YES	12	11 3/8	3.3
2FRF0931	9	290	1/70	0.74	TE	YES	12	11 1/4	5.6
2FRF1221	12	665	1/30	1.40	TE	YES	6	13 7/8	6.6
2FRF1261	12	1075	1/20	1.50	TE	YES	6	14 5/8	19.0

Reversible 12" to 24" Direct-Drive Exhaust & Supply Fans

Reversible direct-drive exhaust and supply fans are designed for exhaust or intake ventilating applications.

Features and Specifications

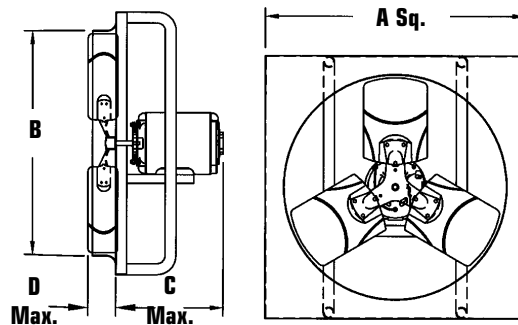
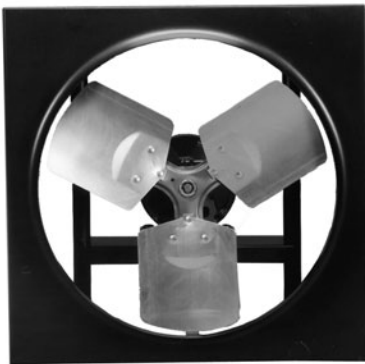
- Fans have 115V 60 Hz totally enclosed, thermally protected, ball bearing motors on resilient mounts
- Wall mounted rigid steel frames have deep venturi and 1" wide flanges
- Frames have charcoal gray polyester finish

- Reversing switch for remote mounting included
- Stamped aluminum propeller

NOTE: OSHA-compliant guards are strongly recommended when fan is installed within 8.2 ft. (2.5M) of the floor, at working level, or within reach of personnel. Review OSHA codes.

Accessories (available separately)

- For more information, see Wall Fan Accessories



Model No.	Prop. Dia. (In.)	Dimensions (In.)				Dia. Opening Required (In.)	HP	RPM	Oper. Amps	0.0" SP	CFM Air Delivery (Exhaust/Supply)			Ship Wt. (lbs.)	Optional Intake Guard Model No.
		A	B	C	D						0.125" SP	0.250" SP	0.375" SP		
2DRV12B1	12	16	12 3/8	8 3/4	2	14	1/4	1725	3.9	1570/1260	1385/1195	1135/1095	755/770	31.0	1ACC12SG
2DRV16B1	16	20	16 1/2	8 3/8	1 3/4	18	1/4	1725	3.9	1885/1605	1640/1435	1370/1325	1020/1150	30.0	1ACC16SG
2DRV16C1	16	20	16 1/2	8 3/8	2 3/8	18	1/3	1725	4.4	2630/2200	2430/2010	2215/1880	1725/1730	39.0	1ACC18SG
2DRV18C1	18	22	18 1/2	8 3/4	1 7/8	20	1/3	1725	4.5	3255/2930	2990/2690	2705/2545	2375/2370	36.0	1ACC20SG
2DRV20C1	20	24	20 1/2	8 3/8	2 1/8	22	1/3	1725	5.0	3960/3440	3680/3170	3305/2970	2880/2645	41.0	1ACC24SG
2DRV24D1	24	28	24 3/8	8 1/2	2 5/8	26	1/2	1725	5.6	4495/4290	4130/3925	3720/3570	3285/3180	49.0	1ACC30SG