

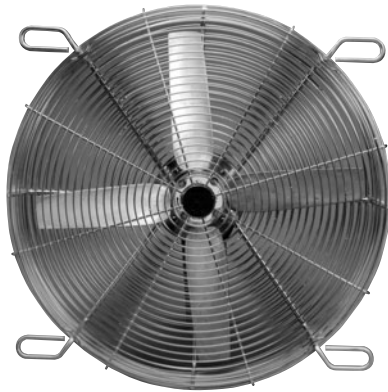
# Specialty

## Transformer Cooling Fan

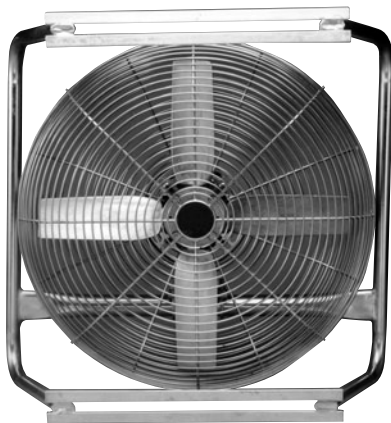
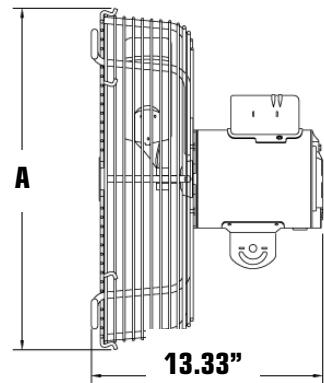
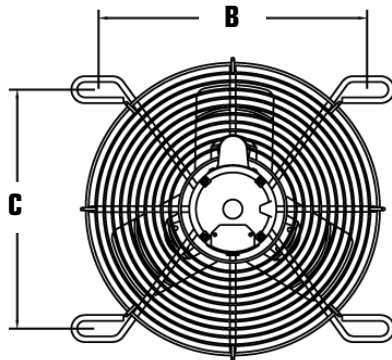
Designed to reduce temperatures to oil-filled transformer radiators by forcing cooler air across the heat transfer plates.

### Features and specifications

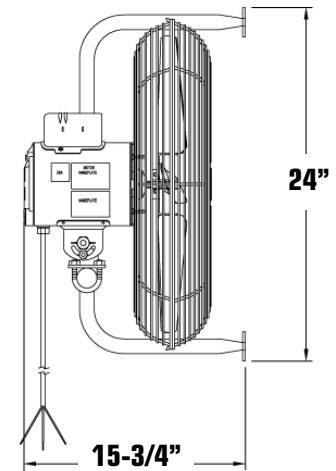
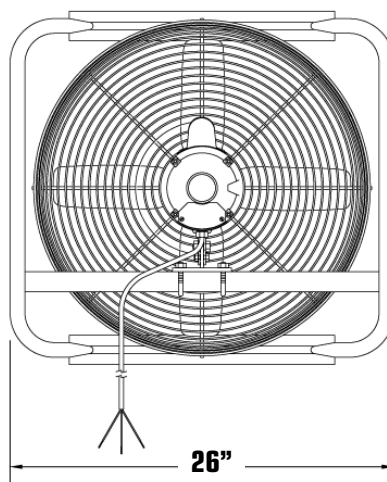
- Weather-resistant guards and weatherproof motor for outdoor use
- 115/230V, 60 Hz, single phase, totally enclosed air over (TEAO), permanently lubricated sealed ball bearing, permanent split capacitor motor has automatic overload protection
- 1/2" shaft with rust inhibitor treatment and shaft-end bearing slinger to protect against dirt and moisture
- Motor drain hold to eliminate condensation buildup
- Fans include mounting brackets, 19-1/2" threaded galvanized rods and hardware
- Weatherproof 8-ft. power cord, pre-wired from factory for 230V operation (UL recognized)
- Class B insulation with Class A temperature rise for extended life



**Guard Mount**



**Tubular Mount**



Model No.	Prop. Dia. (In.)	Prop. Construction	CFM	RPM	HP	Volts@ 60 Hz	AMPS	A	Min. B	Max. B	Min. C	Max. C	Ship Wt. (Lbs)
<b>GUARD MOUNT</b>													
3TCF16B2J	16	Stamped	4960	1700	1/4	115/230	3.4/1.7	19	11-3/4	15-11/16	15-11/16	19-1/16	30.0
3TCF16B2K	16	Cast	4560	1700	1/4	115/230	3.4/1.7	19	11-3/4	15-11/16	15-11/16	19-1/16	30.0
3TCF20D2J	20	Stamped	6840	1700	1/2	115/230	5.0/2.5	23	17-3/4	21-1/4	18-1/2	18-1/2	48.4
3TCF20D2K	20	Cast	6600	1700	1/2	115/230	5.0/2.5	23	17-3/4	21-1/4	18-1/2	18-1/2	40.0
3TCF24D2J	24	Stamped	8640	1700	1/2	115/230	5.0/2.5	27	19-7/8	23-3/8	21-1/2	21-1/2	58.2
3TCF24D2K	24	Cast	7900	1700	1/2	115/230	5.0/2.5	27	19-7/8	23-3/8	21-1/2	21-1/2	45.0
<b>TUBULAR MOUNT</b>													
3TCF20D2L	20	Cast	6599	1700	1/2	115/230	5.0/2.5	—	—	—	—	—	58.1

3CAS01MK Flush Mounting Kit (not shown)